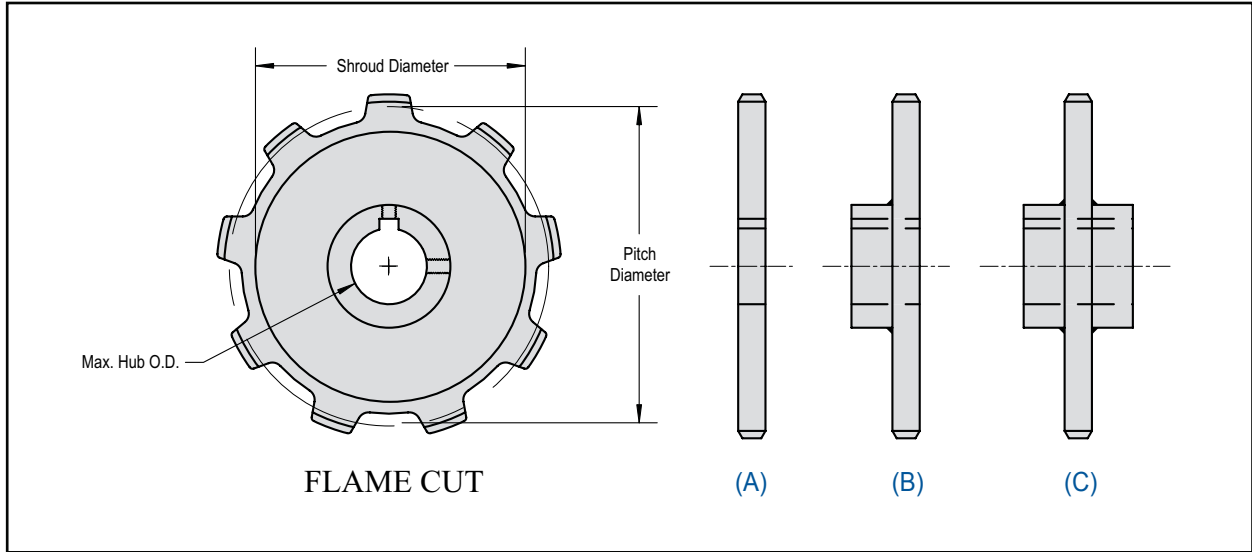


MILL CHAIN SPROCKET ORDERING GUIDE



| Quantity | Chain Number | # of Teeth | Material | P.D. | O.D. | Profile | Standard | Split to Bolt |
|----------|--------------|------------|----------|------|------|---------|----------|---------------|
| | | | | | | | | |
| | | | | | | | | |
| | | | | | | | | |
| | | | | | | | | |
| | | | | | | | | |
| | | | | | | | | |
| | | | | | | | | |
| | | | | | | | | |
| | | | | | | | | |

| Hub Type | Bore Size | Hub O.D. | L.T.B. | Keyed or Bushed | Comments |
|----------|-----------|----------|--------|-----------------|----------|
| | | | | | |
| | | | | | |
| | | | | | |
| | | | | | |
| | | | | | |

