



Mac Chain Co. Ltd.

800-663-0072
[UNITED STATES]

800-663-0072
[WESTERN CANADA]

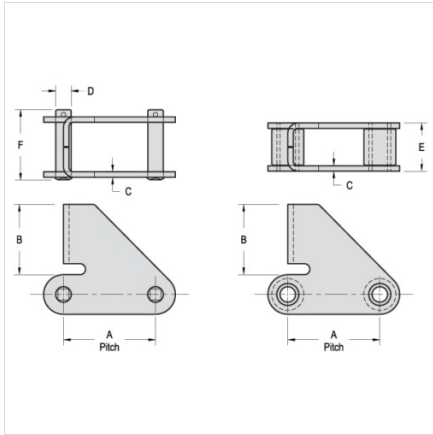
877-833-1653
[EASTERN CANADA]

81X INTEGRAL PUSHER LUG

ATTACHMENTS > Steel Bushed Roller Chain Attachments

Industry: Forest Products

Mac 81X Integral Pusher Lugs are used in many sawmill applications.



All dimensions shown in inches unless noted otherwise.

Part Number	Average Pitch	Sidebar Thickness	Pin Diameter	Links Per Foot	Roller Link Width	Conn Link Width
	A	B	D		E	F
81X Integral Pusher Lug	2.609	5/32	7/16	4.6	1.375	2.125

Part Number	Pusher Height
	B
81X Integral Pusher Lug	2

Questions about ordering? Call us!

WE'RE HERE TO HELP!

www.macchain.com
ussales@macchain.com

