



Mac Chain Co. Ltd.

800-663-0072
[UNITED STATES]

800-663-0072
[WESTERN CANADA]

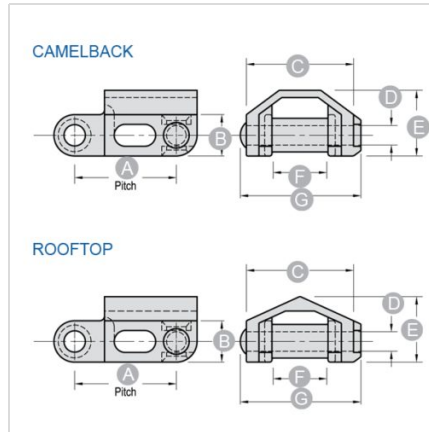
877-833-1653
[EASTERN CANADA]

C55A

TRANSFER CHAIN > Malleable Cast Steel Transfer Chain

Industry: Forest Products

- Cambelback: H78B, H138 (Cast)
- Rooftop: H78A, H130 (Cast)
- Combination: C55A, C55B, C55D



NOTE: All dimensions shown in inches unless noted otherwise.

Part Number	Average Pitch	Sidebar Height	Pin Diameter	Approx. Overall Width	Overall Width	Max. Sprocket Thickness
	A	B	D	E	G	F
C55A	1.330	3/4	3/8	1 1/4	2	3/4

Part Number	Barrel O.D.	Links per Foot	Average Weight per Ft. (lbs)
	C		
C55A	1 13/16	7.4	3.2

Questions about ordering? Call us!

WE'RE HERE TO HELP!
www.macchain.com
ussales@macchain.com

