



Mac Chain Co. Ltd.

800-663-0072
[UNITED STATES]

800-663-0072
[WESTERN CANADA]

877-833-1653
[EASTERN CANADA]

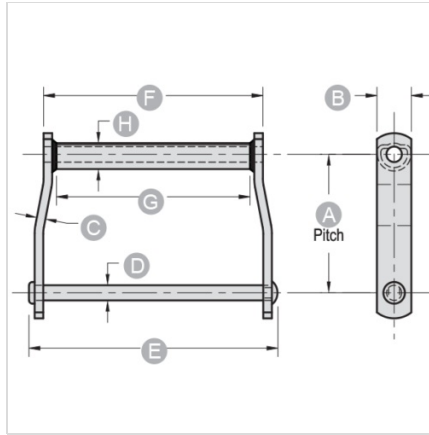
WD116

WELDED STEEL CHAIN > Welded Steel Drag Chain

Industry: Mobile Wood Waste Recycling, Forest Products

Using select grade alloy steels these heavy duty chains are manufactured in North America to high standards. Our unique barrel forming process ensures consistent quality, reducing potential rivet wear and providing high strength and long service life. All heat treating and attachment options are available, as well as reverse barrel design.

- Standard zone induction-hardened rivets for 3/4" and 7/8" diameters
- Standard through-hardened rivets for 1" diameters



NOTE: All dimensions shown in inches unless noted otherwise. *WDH denotes Heat-Treated

Part Number	Average Pitch	Ultimate Strength (lbs)	WH* Ultimate Strength (lbs)	Sidebar Height	Sidebar Thickness	Pin Diameter
	A			B	C	D
WD116	8.000	55,000	69,000	1 3/4	3/8	3/4

Part Number	Approx. Overall Width	Length of Bearing	Max. Sprocket Thickness	Links per Foot	Average Weight per Ft. (lbs)
	E	F	G		
WD116	15 1/2	14 1/8	13.000	1.500	12.900

Questions about ordering? Call us!

WE'RE HERE TO HELP!

www.macchain.com
ussales@macchain.com

