



Mac Chain Co. Ltd.

800-663-0072  
[UNITED STATES]

800-663-0072  
[WESTERN CANADA]

877-833-1653  
[EASTERN CANADA]

## WD120SM

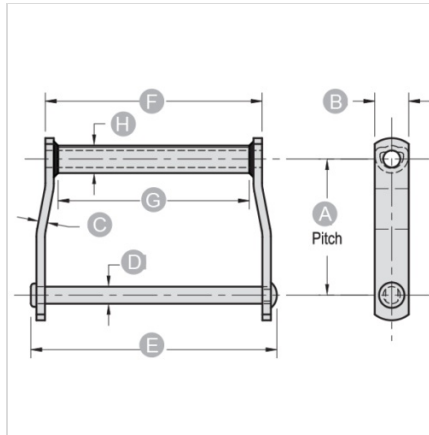
WELDED STEEL CHAIN > Welded Steel "Super Mac" Drag Chain

**Industry:** Mobile Wood Waste Recycling, Forest Products

Using select grade alloy steels these heavy duty chains are manufactured in North America to high standards. Our unique barrel forming process ensures consistent quality, reducing potential rivet wear and providing high strength and long service life.

The Super Mac series chain features a formed barrel of heavy wall tubing for severe applications, ideal for extra heavy loads associated with hog conveyors or "Load" chip dumping.

All heat treating and attachment options are available, as well as reverse barrel design.



NOTE: All dimensions shown in inches unless noted otherwise. \*WDH denotes Heat-Treated

Part Number	Average Pitch	Ultimate Strength (lbs)	WH* Ultimate Strength (lbs)	Sidebar Height	Sidebar Thickness	Pin Diameter
WD120SM	A 6.000	85,000	120,000	B 2.000	C 1/2	D 1.000

Part Number	Approx. Overall Width	Length of Bearing	Max. Sprocket Thickness	Links per Foot	Average Weight per Ft. (lbs)
WD120SM	E 12.000	F 10 1/4	G 8 3/4	2,000	19,500

Questions about ordering? Call us!

WE'RE HERE TO HELP!

www.macchain.com  
ussales@macchain.com

