



Mac Chain Co. Ltd.

800-663-0072
[UNITED STATES]

800-663-0072
[WESTERN CANADA]

877-833-1653
[EASTERN CANADA]

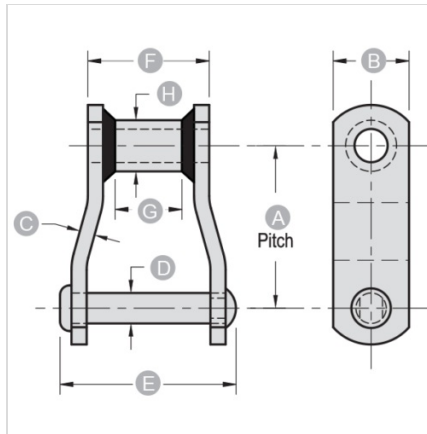
WR78

WELDED STEEL CHAIN > Welded Steel Chain - Offset Sidebar

Industry: Grain Processing, Car Wash Conveyor, Forest Products

Welded Steel Mill Chains (Offset Sidebars) are recommended for most conveying and elevating applications in which a high strength steel rollerless chain is required. A complete line on attachments and optional heat treatment make them easily adaptable to a wide variety of applications.

- All pins are through-hardened
- 1" & larger pins are further induction hardened
- Pre-Greased Rivets available upon request on all sizes



NOTE: All dimensions shown in inches unless otherwise noted. *WH denotes Heat-Treated

Part Number	Average Pitch	Ultimate Strength (lbs)	WH* Ultimate Strength (lbs)	Sidebar Height	Sidebar Thickness	Pin Diameter
WR78	A 2.609	29,800	34,000	B 1 1/4	C 1/4	D 1/2

Part Number	Approx. Overall Width	Length of Bearing	Max. Sprocket Thickness	Barrel O.D.	Links per Foot	Average Weight per Ft. (lbs)
WR78	E 3.000	F 2.000	G 1.000	H 0.840	4.600	4.100

Questions about ordering? Call us!

WE'RE HERE TO HELP!

www.macchain.com
ussales@macchain.com

