



Mac Chain Co. Ltd.

800-663-0072  
[UNITED STATES]

800-663-0072  
[WESTERN CANADA]

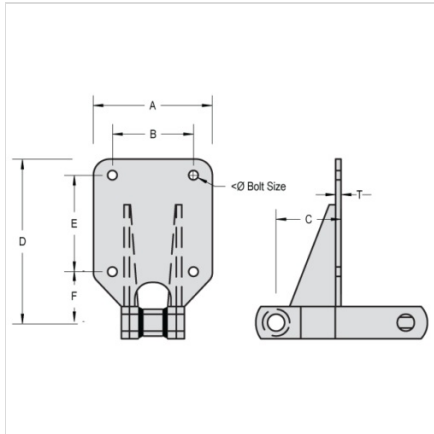
877-833-1653  
[EASTERN CANADA]

### 700 CLASS F22 F22-8

ATTACHMENTS > Waste Water Chain Attachments

**Industry:** Grain Processing, Forest Products

Mac Chain offers a wide variety of weld-on attachments to suit industry standards. Mac Chain can also produce any custom attachments that may be required to suit your specific application.



All dimensions shown in inches unless noted otherwise.

Part Number	Ø Bolt Size	A	B	C	D	E
700 Class F22 F22-8	3/8	5	3 3/4	3	6	2 5/8

Part Number	F	T
700 Class F22 F22-8	2 3/8	1/4

Questions about ordering? Call us!

**WE'RE HERE TO HELP!**  
www.macchain.com  
ussales@macchain.com

