



Mac Chain Co. Ltd.

800-663-0072
[UNITED STATES]

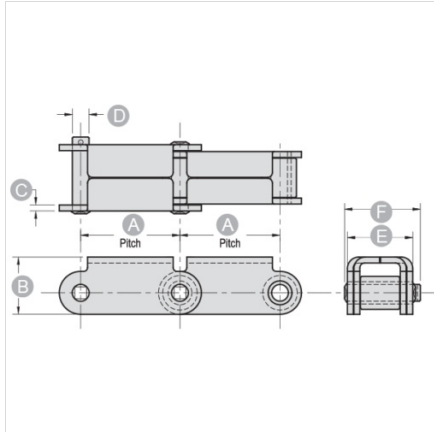
800-663-0072
[WESTERN CANADA]

877-833-1653
[EASTERN CANADA]

81X STEEL CAMELBACK

TRANSFER CHAIN > Transfer Chain

Industry: Forest Products



NOTE: All dimensions shown in inches unless noted otherwise.

Part Number	Average Pitch A	Sidebar Height B	Outer Sidebar Thickness C	Inner Sidebar Thickness C2	Pin Diameter D	Overall Width F
81X Steel Camelback	2.609	1 1/2	5/32	5/32	1/2	1.937

Part Number	Length of Bearing G	Links per Foot	Average Weight per Ft. (lbs)	Top Width E	Roller Diameter H
81X Steel Camelback	1 3/8	4.6	3.3	1 3/4	29/32

Questions about ordering? Call us!

WE'RE HERE TO HELP!

www.macchain.com
ussales@macchain.com

