



Mac Chain Co. Ltd.

800-663-0072  
[UNITED STATES]

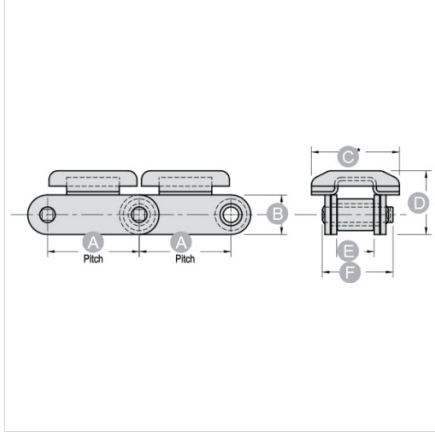
800-663-0072  
[WESTERN CANADA]

877-833-1653  
[EASTERN CANADA]

## 81X UHMW REGULAR

TRANSFER CHAIN > Transfer Chain C/W UHMW Top

Industry: Forest Products



NOTE: All dimensions shown in inches unless noted otherwise.

Part Number	Average Pitch	Sidebar Height	Max. Overall Width	Overall Height	Max. Sprocket Thickness	Links per Foot
	A	B	F	D	E	
81X UHMW Regular	2.609	1 1/8	2 1/8	1 7/8	7/8	4.6

Part Number	Average Weight per Ft. (lbs)	Top Width
		C
81X UHMW Regular	3.5	2 5/8

Questions about ordering? Call us!

WE'RE HERE TO HELP!

[www.macchain.com](http://www.macchain.com)  
[ussales@macchain.com](mailto:ussales@macchain.com)

