



Mac Chain Co. Ltd.

800-663-0072  
[UNITED STATES]

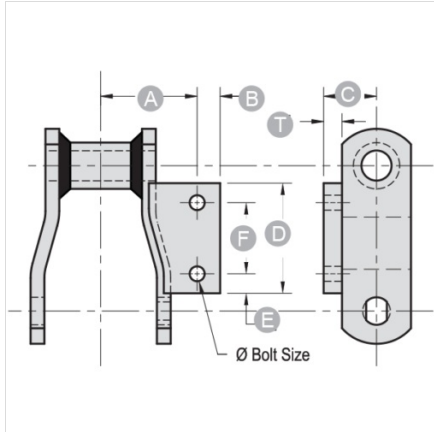
800-663-0072  
[WESTERN CANADA]

877-833-1653  
[EASTERN CANADA]

## A2-WR82

ATTACHMENTS > Welded Steel Chain Attachments

*Industry: AG Spreader, Grain Processing, Car Wash Conveyor, Forest Products*



NOTE: All dimensions shown in inches unless noted otherwise.

Part Number	Ø Bolt Size	A	B	C	D	E
A2-WR82	3/8	2 1/8	5/8	7/8	2 1/4	1/2

Part Number	F	T
A2-WR82	1 1/4	1/4

Questions about ordering? Call us!

**WE'RE HERE TO HELP!**  
www.macchain.com  
ussales@macchain.com

