



Mac Chain Co. Ltd.

800-663-0072
[UNITED STATES]

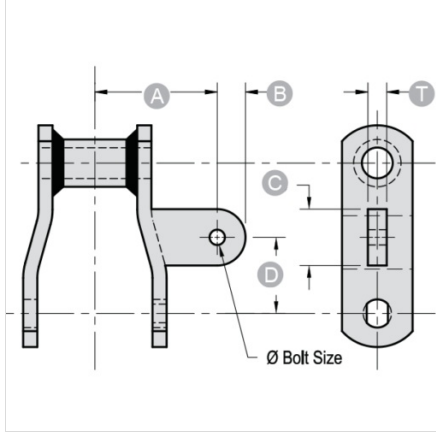
800-663-0072
[WESTERN CANADA]

877-833-1653
[EASTERN CANADA]

A22-WR106

ATTACHMENTS > Welded Steel Chain Attachments

Industry: AG Spreader, Grain Processing, Car Wash Conveyor, Forest Products



NOTE: All dimensions shown in inches unless noted otherwise.

Part Number	Ø Bolt Size	A	B	C	D	T
A22-WR106	1/2	2 3/4	7/8	2	3	3/8

Questions about ordering? Call us!

WE'RE HERE TO HELP!

www.macchain.com
ussales@macchain.com

