



Mac Chain Co. Ltd.

800-663-0072  
[UNITED STATES]

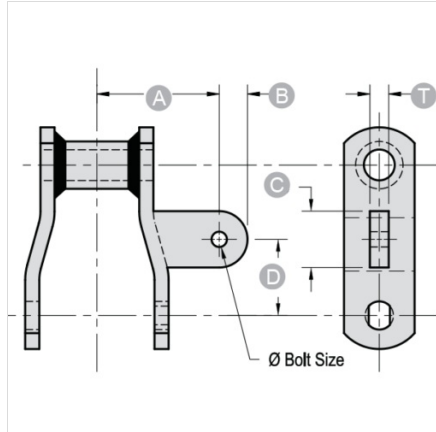
800-663-0072  
[WESTERN CANADA]

877-833-1653  
[EASTERN CANADA]

## A22-WR82

ATTACHMENTS > Welded Steel Chain Attachments

*Industry: AG Spreader, Grain Processing, Car Wash Conveyor, Forest Products*



NOTE: All dimensions shown in inches unless noted otherwise.

Part Number	Ø Bolt Size	A	B	C	D	T
A22-WR82	3/8	2 1/2	5/8	1 1/4	1 1/2	1/4

Questions about ordering? Call us!

WE'RE HERE TO HELP!

[www.macchain.com](http://www.macchain.com)  
[ussales@macchain.com](mailto:ussales@macchain.com)

