



Mac Chain Co. Ltd.

800-663-0072
[UNITED STATES]

800-663-0072
[WESTERN CANADA]

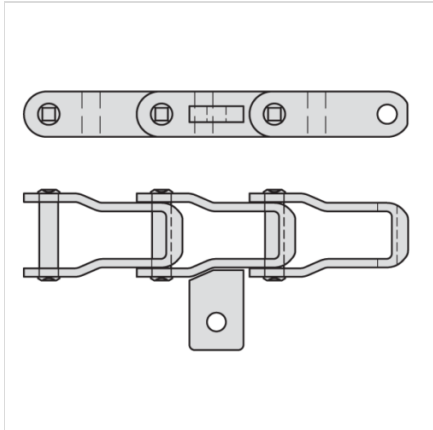
877-833-1653
[EASTERN CANADA]

AS-M667H

ATTACHMENTS > Steel Pintle Chain Attachments

Industry: AG Spreader, Grain Processing, Asphalt Paving, Sanding Truck Conveyor, Car Wash Conveyor, Forest Products

Mac Chain offers a wide variety of weld-on attachments to suit industry standards. Mac Chain can also produce any custom attachments that may be required to suit your specific application. Please contact your closest customer service department for attachment details.



Questions about ordering? Call us!

WE'RE HERE TO HELP!
www.macchain.com
ussales@macchain.com

