



Mac Chain Co. Ltd.

800-663-0072
[UNITED STATES]

800-663-0072
[WESTERN CANADA]

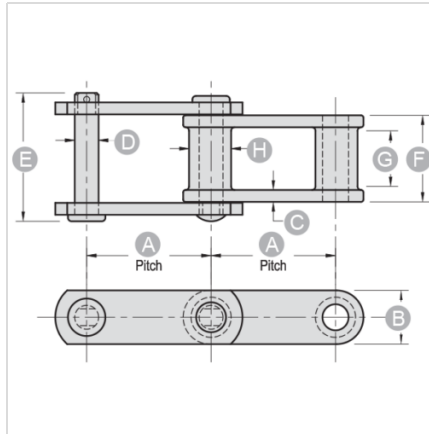
877-833-1653
[EASTERN CANADA]

C55

MALLEABLE CHAIN > Steel & Malleable Combination Chain

Industry: Sanding Truck Conveyor, Forest Products

Combination Chain consists of malleable block links alternated with steel sidebars, which are ideal for welding on steel attachments.



NOTE: All dimensions shown in inches unless noted otherwise. Available in Rivetted or Cottered construction

Part Number	Average Pitch	Ultimate Strength (lbs)	Sidebar Height	Sidebar Thickness	Pin Diameter	Approx. Overall Width
	A		B	C	D	E
C55	1.631	9,000	3/4	0.188	3/8	2.000

Part Number	Length of Bearing	Max. Sprocket Thickness	Barrel O.D.	Links per Foot	Average Weight per Ft. (lbs)
	F	G	H		
C55	1.187	3/4	0.718	7.400	2.100

Questions about ordering? Call us!

WE'RE HERE TO HELP!

www.macchain.com
ussales@macchain.com

