



Mac Chain Co. Ltd.

800-663-0072  
[UNITED STATES]

800-663-0072  
[WESTERN CANADA]

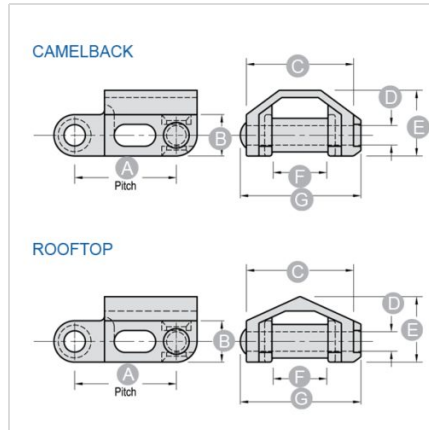
877-833-1653  
[EASTERN CANADA]

## C55A

TRANSFER CHAIN > Malleable Cast Steel Transfer Chain

Industry: Forest Products

- Cambelback: H78B, H138 (Cast)
- Rooftop: H78A, H130 (Cast)
- Combination: C55A, C55B, C55D



NOTE: All dimensions shown in inches unless noted otherwise.

Part Number	Average Pitch	Sidebar Height	Pin Diameter	Approx. Overall Width	Overall Width	Max. Sprocket Thickness
C55A	A 1.330	B 3/4	D 3/8	E 1 1/4	G 2	F 3/4

Part Number	Barrel O.D.	Links per Foot	Average Weight per Ft. (lbs)
C55A	C 1 13/16	7.4	3.2

Questions about ordering? Call us!

WE'RE HERE TO HELP!  
www.macchain.com  
ussales@macchain.com

