



Mac Chain Co. Ltd.

800-663-0072
[UNITED STATES]

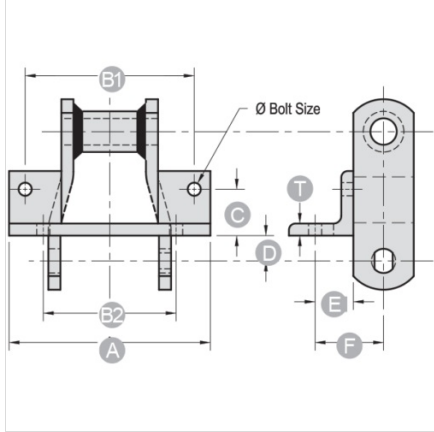
800-663-0072
[WESTERN CANADA]

877-833-1653
[EASTERN CANADA]

F2-WR82XHD

ATTACHMENTS > Welded Steel Chain Attachments

Industry: AG Spreader, Grain Processing, Car Wash Conveyor, Forest Products



NOTE: All dimensions shown in inches unless noted otherwise.

Part Number	Ø Bolt Size	A	B1	B2	C	D
F2-WR82XHD	3/8	5 7/8	5	4 1/8	1 1/2	7/8

Part Number	E	F	T
F2-WR82XHD	1 1/8	1 3/4	3/8

Questions about ordering? Call us!

WE'RE HERE TO HELP!
www.macchain.com
ussales@macchain.com

