



Mac Chain Co. Ltd.

800-663-0072  
[UNITED STATES]

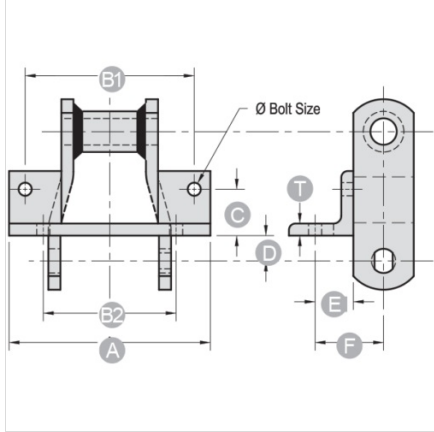
800-663-0072  
[WESTERN CANADA]

877-833-1653  
[EASTERN CANADA]

## F4-WR82XHD

ATTACHMENTS > Welded Steel Chain Attachments

*Industry: AG Spreader, Grain Processing, Car Wash Conveyor, Forest Products*



NOTE: All dimensions shown in inches unless noted otherwise.

Part Number	Ø Bolt Size	A	B1	B2	C	D
F4-WR82XHD	3/8	5 7/8	5	4 1/8	1 1/2	7/8

Part Number	E	F	T
F4-WR82XHD	1 1/8	1 3/4	3/8

Questions about ordering? Call us!

**WE'RE HERE TO HELP!**

[www.macchain.com](http://www.macchain.com)  
[ussales@macchain.com](mailto:ussales@macchain.com)

