



Mac Chain Co. Ltd.

800-663-0072
[UNITED STATES]

800-663-0072
[WESTERN CANADA]

877-833-1653
[EASTERN CANADA]

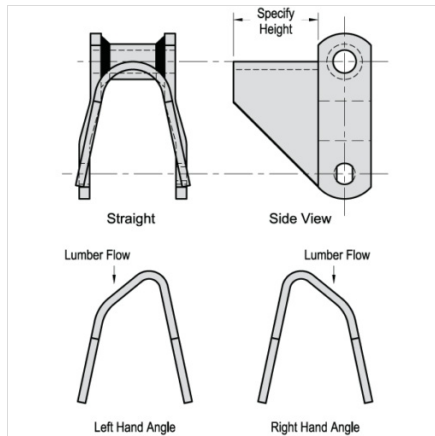
FABRICATED STEEL BULLNOSE PUSHER LUG-81XXHD

ATTACHMENTS > Steel Bushed Roller Chain Attachments

Industry: Forest Products

Mac Fabricated Steel Bullnose Pusher Lugs are used in many sawmill applications.

- Taper or Square Back
- Standard Heights: 2", 2.5", 3"
- Custom sizes available



Part Number	Average Pitch
Fabricated Steel Bullnose Pusher Lug-81XXHD	Call Us

Questions about ordering? Call us!

WE'RE HERE TO HELP!

www.macchain.com
ussales@macchain.com

