



Mac Chain Co. Ltd.

800-663-0072
[UNITED STATES]

800-663-0072
[WESTERN CANADA]

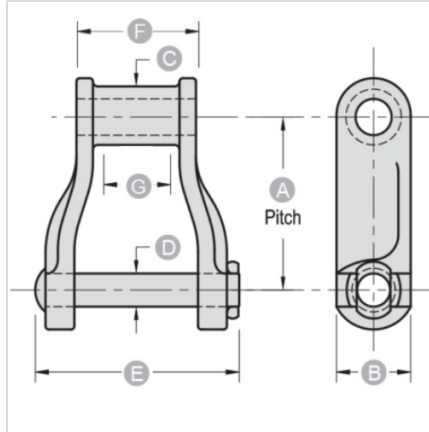
877-833-1653
[EASTERN CANADA]

H82

MALLEABLE CHAIN > Malleable Cast Steel Chain

Industry: Forest Products

Mac Malleable Iron Chains are designed for demanding applications such as transfer and conveying purposes. The pin joint permits operation in a moderately dusty or abrasive atmosphere.



Part Number	Average Pitch	Ultimate Strength (lbs)	Sidebar Height	Pin Diameter	Approx. Overall Width	Length of Bearing
	A		B	D	E	F
H82	3.075	20,000	1 1/4	0.563	3 7/8	2 1/8

Part Number	Max. Sprocket Thickness	Barrel O.D.	Links per Foot	Average Weight per Ft. (lbs)
	G	C		
H82	1 1/4	1.218	3.900	5.500

Questions about ordering? Call us!

WE'RE HERE TO HELP!

www.macchain.com
ussales@macchain.com

