



Mac Chain Co. Ltd.

800-663-0072
[UNITED STATES]

800-663-0072
[WESTERN CANADA]

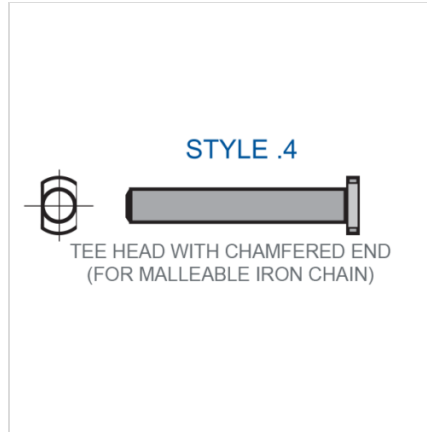
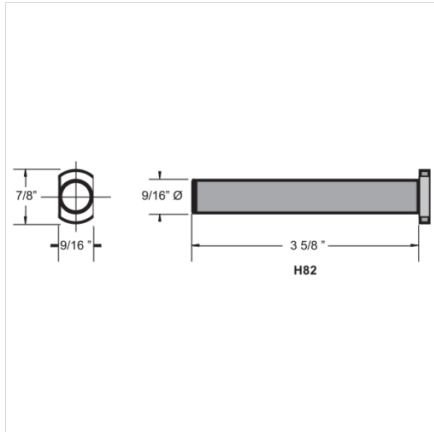
877-833-1653
[EASTERN CANADA]

H82PIN T-HEAD

MALLEABLE IRON PIN > Malleable Chain Pin

Industry: Sanding Truck Conveyor, Car Wash Conveyor, Forest Products

- Pins can be supplied "pre-drilled" for cotter pins
- Dimensions in brackets apply to optional 1" A Rivets
- Most rivets chamfered on end for "lead in"
- Custom sizes are also available



Part Number	Pin Style	Pin Size	Weight Per 100 pcs.
H82PIN T-HEAD	4	9/16 x 3 5/8	29

Questions about ordering? Call us!

WE'RE HERE TO HELP!
www.macchain.com
ussales@macchain.com

