



Mac Chain Co. Ltd.

800-663-0072  
[UNITED STATES]

800-663-0072  
[WESTERN CANADA]

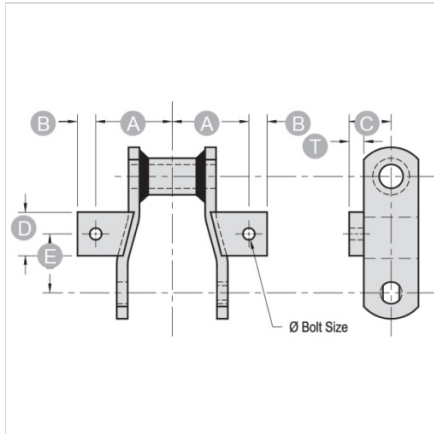
877-833-1653  
[EASTERN CANADA]

## K1-WR124XHD

ATTACHMENTS > Welded Steel Chain Attachments

**Industry:** AG Spreader, Grain Processing, Car Wash Conveyor, Forest Products

Welded Steel Chain Attachments are recommended for most conveying and elevating applications in which a high strength steel rollerless chain is required. Optional heat treatment make them easily adaptable to a wide variety of applications.



NOTE: All dimensions shown in inches unless noted otherwise.

| Part Number | Ø Bolt Size | A     | B   | C     | D     | E |
|-------------|-------------|-------|-----|-------|-------|---|
| K1-WR124XHD | 1/2         | 2 5/8 | 3/4 | 1 1/2 | 1 1/2 | 2 |

| Part Number | T   |
|-------------|-----|
| K1-WR124XHD | 1/2 |

Questions about ordering? Call us!

WE'RE HERE TO HELP!  
www.macchain.com  
ussales@macchain.com

