



Mac Chain Co. Ltd.

800-663-0072  
[UNITED STATES]

800-663-0072  
[WESTERN CANADA]

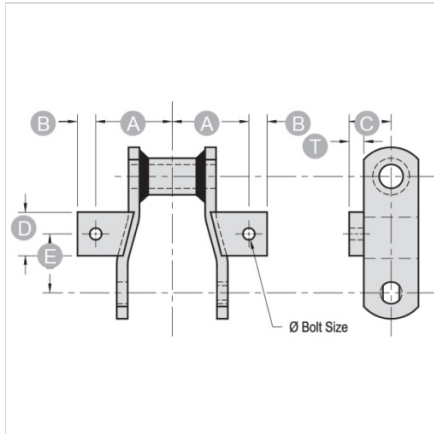
877-833-1653  
[EASTERN CANADA]

## K1-WR132XHD

ATTACHMENTS > Welded Steel Chain Attachments

**Industry:** AG Spreader, Grain Processing, Car Wash Conveyor, Forest Products

Welded Steel Chain Attachments are recommended for most conveying and elevating applications in which a high strength steel rollerless chain is required. Optional heat treatment make them easily adaptable to a wide variety of applications.



NOTE: All dimensions shown in inches unless noted otherwise.

Part Number	Ø Bolt Size	A	B	C	D	E
K1-WR132XHD	1/2	3 3/4	7/8	1 1/2	2	3

Part Number	T
K1-WR132XHD	1/2

Questions about ordering? Call us!

WE'RE HERE TO HELP!

[www.macchain.com](http://www.macchain.com)  
[ussales@macchain.com](mailto:ussales@macchain.com)

