



Mac Chain Co. Ltd.

800-663-0072
[UNITED STATES]

800-663-0072
[WESTERN CANADA]

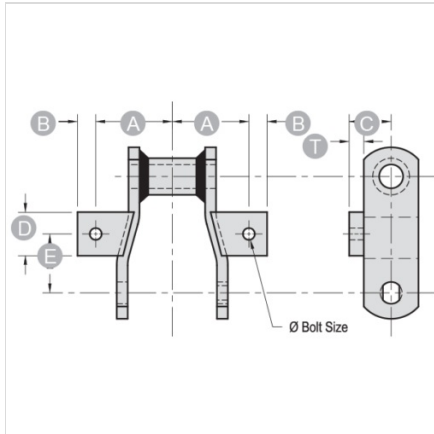
877-833-1653
[EASTERN CANADA]

K1-WR78XHD

ATTACHMENTS > Welded Steel Chain Attachments

Industry: AG Spreader, Grain Processing, Car Wash Conveyor, Forest Products

Welded Steel Chain Attachments are recommended for most conveying and elevating applications in which a high strength steel rollerless chain is required. Optional heat treatment make them easily adaptable to a wide variety of applications.



NOTE: All dimensions shown in inches unless noted otherwise.

| Part Number | Ø Bolt Size | A | B | C | D | E |
|-------------|-------------|---|-----|-----|-------|-------|
| K1-WR78XHD | 3/8 | 2 | 1/2 | 7/8 | 1 1/4 | 1 1/4 |

| Part Number | T |
|-------------|-----|
| K1-WR78XHD | 1/4 |

Questions about ordering? Call us!

WE'RE HERE TO HELP!

www.macchain.com
ussales@macchain.com

