



Mac Chain Co. Ltd.

800-663-0072  
[UNITED STATES]

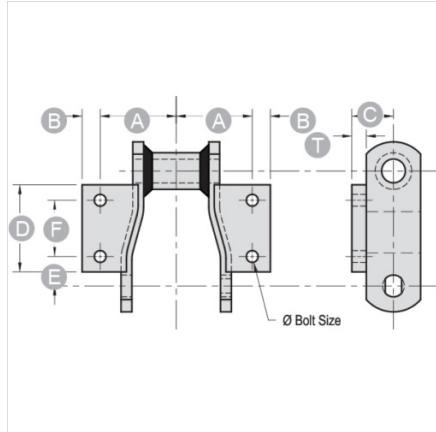
800-663-0072  
[WESTERN CANADA]

877-833-1653  
[EASTERN CANADA]

## K2-WR124XHD

ATTACHMENTS > Welded Steel Chain Attachments

*Industry: AG Spreader, Grain Processing, Car Wash Conveyor, Forest Products*



NOTE: All dimensions shown in inches unless noted otherwise.

Part Number	Ø Bolt Size	A	B	C	D	E
K2-WR124XHD	1/2	2.625	3/4	1 1/2	3	1

Part Number	F	T
K2-WR124XHD	1.9375	1/2

Questions about ordering? Call us!

**WE'RE HERE TO HELP!**

[www.macchain.com](http://www.macchain.com)  
[ussales@macchain.com](mailto:ussales@macchain.com)

