



Mac Chain Co. Ltd.

800-663-0072
[UNITED STATES]

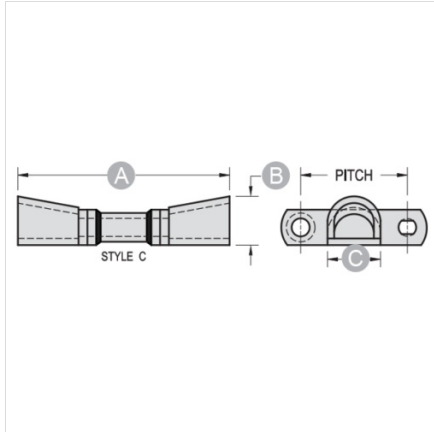
800-663-0072
[WESTERN CANADA]

877-833-1653
[EASTERN CANADA]

LOG CRADLES WR111-C

ATTACHMENTS > Chain and Attachments

Industry: Forest Products



NOTE: All dimensions shown in inches unless noted otherwise. A and B dimensions can easily be altered to meet requirements. Specify A and B dimensions when inquiring.

Part Number	Average Pitch	A	B	C
Log Cradles WR111-C	4.760	8 1/2	2 1/2	3

Questions about ordering? Call us!

WE'RE HERE TO HELP!

www.macchain.com
ussales@macchain.com

