



Mac Chain Co. Ltd.

800-663-0072  
[UNITED STATES]

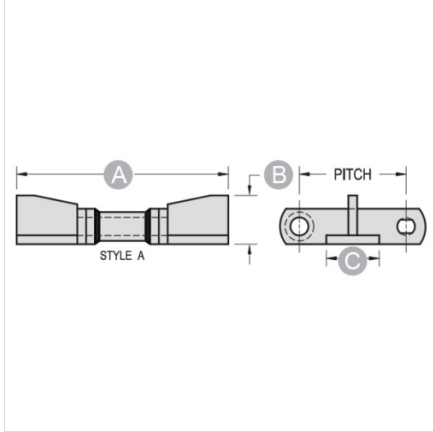
800-663-0072  
[WESTERN CANADA]

877-833-1653  
[EASTERN CANADA]

## LOG CRADLES WR124-A

ATTACHMENTS > Chain and Attachments

Industry: Forest Products



NOTE: All dimensions shown in inches unless noted otherwise. A and B dimensions can easily be altered to meet requirements. Specify A and B dimensions when inquiring.

| Part Number         | Average Pitch | A | B     | C     |
|---------------------|---------------|---|-------|-------|
| Log Cradles WR124-A | 4.000         | 8 | 2 1/4 | 1 1/2 |

Questions about ordering? Call us!

WE'RE HERE TO HELP!

[www.macchain.com](http://www.macchain.com)  
[ussales@macchain.com](mailto:ussales@macchain.com)

