



Mac Chain Co. Ltd.

800-663-0072
[UNITED STATES]

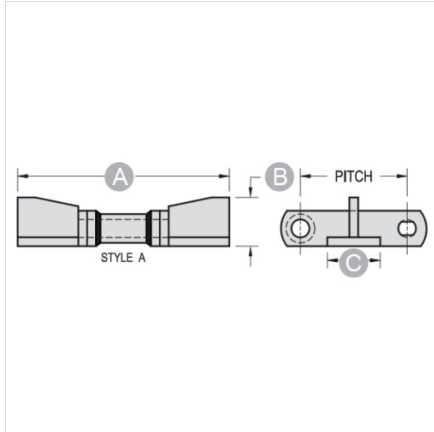
800-663-0072
[WESTERN CANADA]

877-833-1653
[EASTERN CANADA]

LOG CRADLES WR124XHD-A

ATTACHMENTS > Chain and Attachments

Industry: Forest Products



NOTE: All dimensions shown in inches unless noted otherwise. A and B dimensions can easily be altered to meet requirements. Specify A and B dimensions when inquiring.

| Part Number | Average Pitch | A | B | C |
|------------------------|---------------|-------|---|-------|
| Log Cradles WR124XHD-A | 4.050 | 8 1/2 | 3 | 2 1/2 |

Questions about ordering? Call us!

WE'RE HERE TO HELP!

www.macchain.com
ussales@macchain.com

