



Mac Chain Co. Ltd.

800-663-0072
[UNITED STATES]

800-663-0072
[WESTERN CANADA]

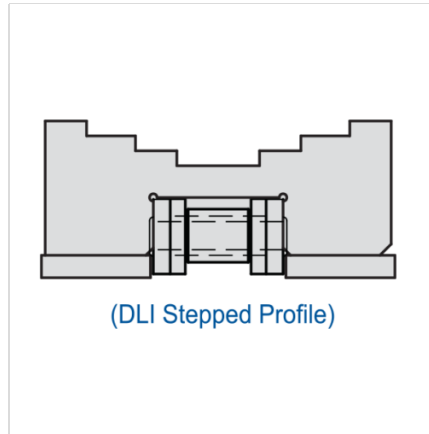
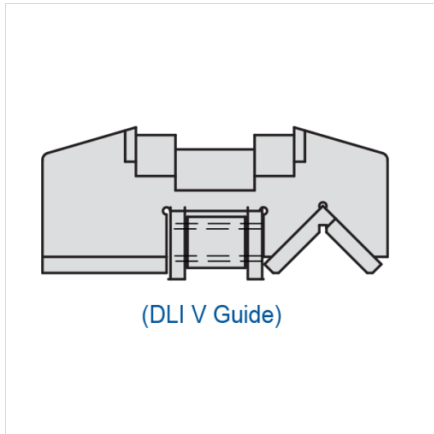
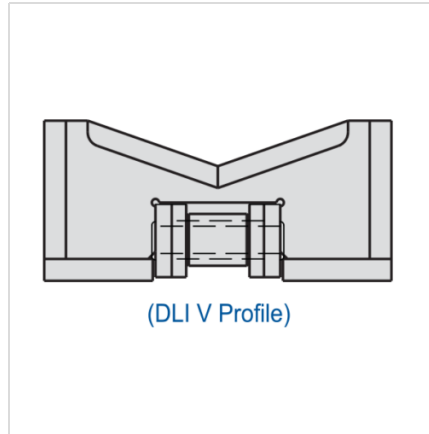
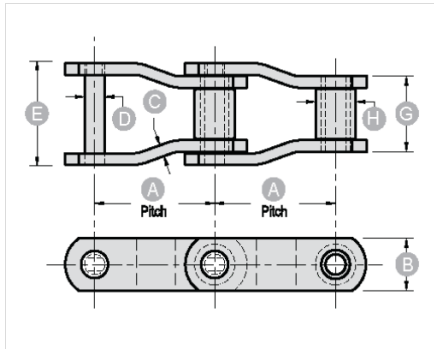
877-833-1653
[EASTERN CANADA]

MRB2512

SPECIAL APPLICATION CHAIN > High Speed DLI/Scanner Chain

Industry: Forest Products

Mac High speed DLI Scanner Chains are designed for rigged; abrasive and demanding sawmill applications. The DLI design offers thru hardened pin and heavier roller links and plates to increase the overall tensile strength.



NOTE: All dimensions shown in inches unless otherwise noted.

Part Number	Average Pitch A	Ultimate Strength (lbs)	Sidebar Height B	Outer Sidebar Thickness C	Pin Diameter D	Max. Overall Width E
MRB2512	3.067	110,000	2 1/4	3/8	0.750	3 7/8

Part Number	Length of Bearing G	Max. Sprocket Thickness	Links per Foot	Average Weight per Ft. (lbs)	Roller Diameter H
MRB2512	2.328	1 1/4"	3.9	12.8	1.629

Questions about ordering? Call us!

WE'RE HERE TO HELP!

www.macchain.com
ussales@macchain.com

