



Mac Chain Co. Ltd.

800-663-0072  
[UNITED STATES]

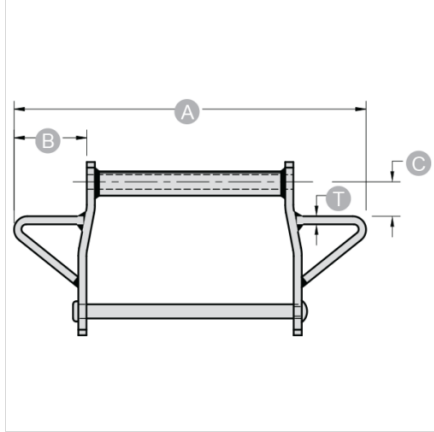
800-663-0072  
[WESTERN CANADA]

877-833-1653  
[EASTERN CANADA]

## STANDARD WING WD102

ATTACHMENTS > Drag Chain Attachments

*Industry: Mobile Wood Waste Recycling, Forest Products*



NOTE: All dimensions shown in inches unless noted otherwise.

Part Number	A	B	C	T
Standard Wing WD102	14 1/4	1 1/2	1 1/2	3/8

Questions about ordering? Call us!

**WE'RE HERE TO HELP!**

[www.macchain.com](http://www.macchain.com)  
[ussales@macchain.com](mailto:ussales@macchain.com)

