



Mac Chain Co. Ltd.

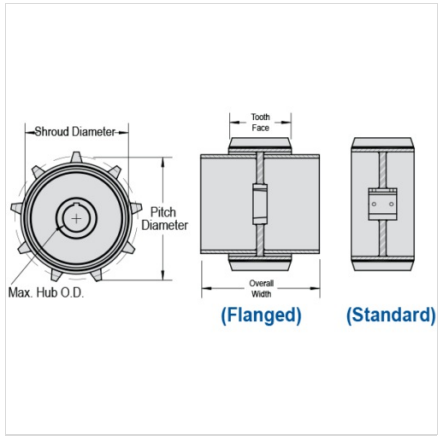
800-663-0072  
[UNITED STATES]

800-663-0072  
[WESTERN CANADA]

877-833-1653  
[EASTERN CANADA]

## WD104-8

DRAG CHAIN SPROCKETS > WD104 Sprocket



Part Number	Average Pitch	Number of Teeth	Pin Style	Pitch Diameter	Max. Bore	Shroud Diameter
WD104-8	6.000	8	Flanged & Standard	15.68	5 15/16	12.99
Part Number				Tooth Face		
WD104-8				4 1/8		

Questions about ordering? Call us!

WE'RE HERE TO HELP!  
www.macchain.com  
ussales@macchain.com

