



Mac Chain Co. Ltd.

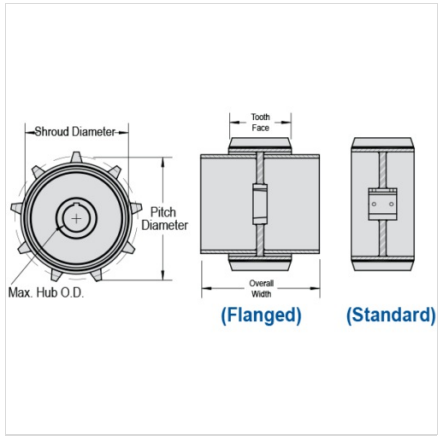
800-663-0072
[UNITED STATES]

800-663-0072
[WESTERN CANADA]

877-833-1653
[EASTERN CANADA]

WD120-8

DRAG CHAIN SPROCKETS > WD120 Sprocket



Part Number	Average Pitch	Number of Teeth	Pin Style	Pitch Diameter	Max. Bore	Shroud Diameter
WD120-8	6.000	8	Flanged & Standard	15.68	5 15/16	12.488
Part Number	Tooth Face					
WD120-8	8 3/4					

Questions about ordering? Call us!

WE'RE HERE TO HELP!
www.macchain.com
ussales@macchain.com

