



Mac Chain Co. Ltd.

800-663-0072  
[UNITED STATES]

800-663-0072  
[WESTERN CANADA]

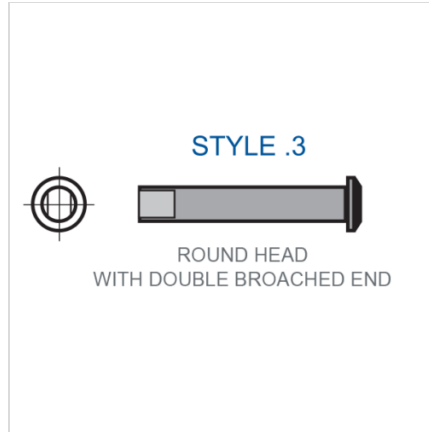
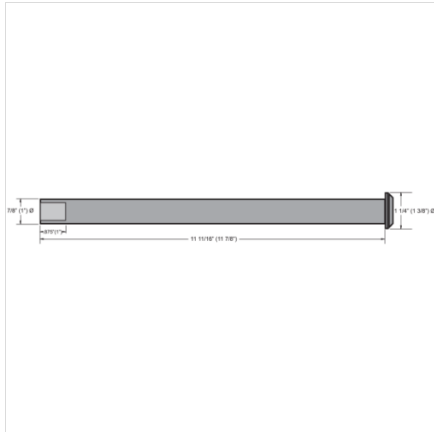
877-833-1653  
[EASTERN CANADA]

## WD120PIN (7/8)

WELDED STEEL PIN > Drag Chain Pin

*Industry: Mobile Wood Waste Recycling, Forest Products*

- Pins can be supplied "pre-drilled" for cotter pins
- Dimensions in brackets apply to optional 1" A Rivets
- Most rivets chamfered on end for "lead in"
- Custom sizes are also available



Part Number	Pin Style	Pin Size	Weight Per 100 pcs.
WD120PIN (7/8)	3	7/8 x 11 23/32	203

Questions about ordering? Call us!

**WE'RE HERE TO HELP!**  
[www.macchain.com](http://www.macchain.com)  
[ussales@macchain.com](mailto:ussales@macchain.com)

