



Mac Chain Co. Ltd.

800-663-0072
[UNITED STATES]

800-663-0072
[WESTERN CANADA]

877-833-1653
[EASTERN CANADA]

WD120XDMM

WELDED STEEL CHAIN > Welded Steel "Mega Mac" Drag Chain

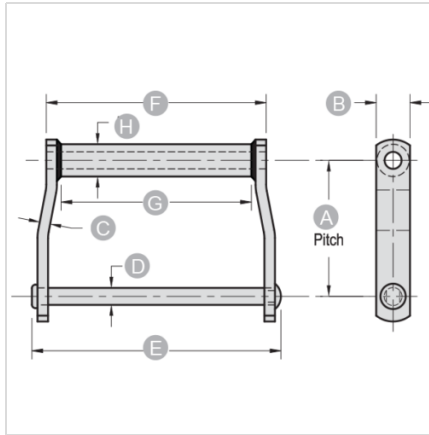
Industry: Mobile Wood Waste Recycling, Forest Products

Using select grade alloy steels, these heavy duty chains are manufactured in North America to high standards.

The Mega Mac series chain features a extra heavy .400" round barrel for the most severe applications. Ideal for extra heavy loads, large logs or any application prone to high impact leading to crushed barrels.

All heat treating and attachment options are available.

- Standard through-hardened rivets
- Available with additional induction hardened rivets



NOTE: All dimensions shown in inches unless noted otherwise. *WDH denotes Heat-Treated

Part Number	Average Pitch	Ultimate Strength (lbs)	WH* Ultimate Strength (lbs)	Sidebar Height	Sidebar Thickness	Pin Diameter
WD120XDMM	A 6.000	125,000	150,000	B 2.000	C 5/8	D 1.000

Part Number	Approx. Overall Width	Length of Bearing	Max. Sprocket Thickness	Links per Foot	Average Weight per Ft. (lbs)
WD120XDMM	E 12 3/4	F 10 1/2	G 8 3/4	2.000	27.000

Questions about ordering? Call us!

WE'RE HERE TO HELP!

www.macchain.com
ussales@macchain.com

