



Mac Chain Co. Ltd.

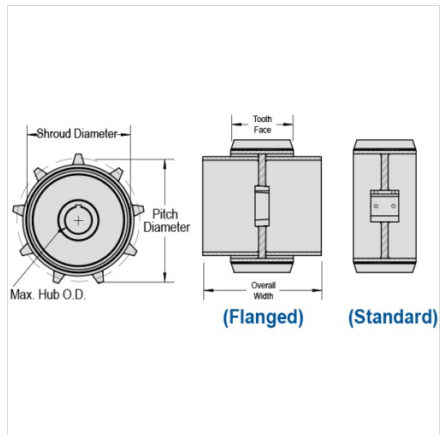
800-663-0072  
[UNITED STATES]

800-663-0072  
[WESTERN CANADA]

877-833-1653  
[EASTERN CANADA]

## WD122-7

DRAG CHAIN SPROCKETS > WD122 Sprocket



Part Number	Average Pitch	Number of Teeth	Pin Style	Pitch Diameter	Max. Bore	Shroud Diameter
WD122-7	8.000	7	Flanged & Standard	18.44	5 15/16	14.614
Part Number				Tooth Face		
WD122-7				8 3/4		

Questions about ordering? Call us!

**WE'RE HERE TO HELP!**  
www.macchain.com  
ussales@macchain.com

