



Mac Chain Co. Ltd.

800-663-0072  
[UNITED STATES]

800-663-0072  
[WESTERN CANADA]

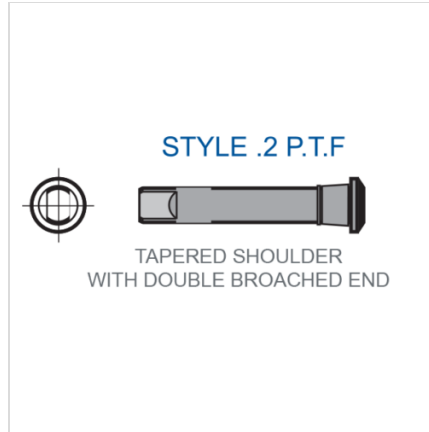
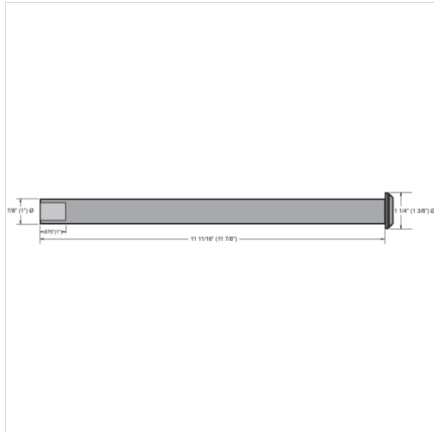
877-833-1653  
[EASTERN CANADA]

## WD122PIN (1Å€)

WELDED STEEL PIN > Drag Chain Pin

*Industry: Mobile Wood Waste Recycling, Forest Products*

- Pins can be supplied "pre-drilled" for cotter pins
- Dimensions in brackets apply to optional 1" Å Rivets
- Most rivets chamfered on end for "lead in"
- Custom sizes are also available



| Part Number    | Pin Style | Pin Size  | Weight Per 100 pcs. |
|----------------|-----------|-----------|---------------------|
| WD122PIN (1Å€) | 2         | 1 x 1 3/4 | 275                 |

Questions about ordering? Call us!

