



Mac Chain Co. Ltd.

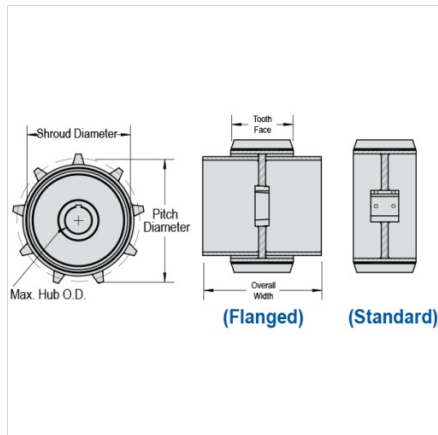
800-663-0072
[UNITED STATES]

800-663-0072
[WESTERN CANADA]

877-833-1653
[EASTERN CANADA]

WD480-7

DRAG CHAIN SPROCKETS > WD480 Sprocket



Part Number	Average Pitch	Number of Teeth	Pin Style	Pitch Diameter	Max. Bore	Shroud Diameter
WD480-7	8.000	7	Flanged & Standard	18.44	5 15/16	14.614
Part Number				Tooth Face		
WD480-7				11		

Questions about ordering? Call us!

WE'RE HERE TO HELP!
www.macchain.com
ussales@macchain.com

