



Mac Chain Co. Ltd.

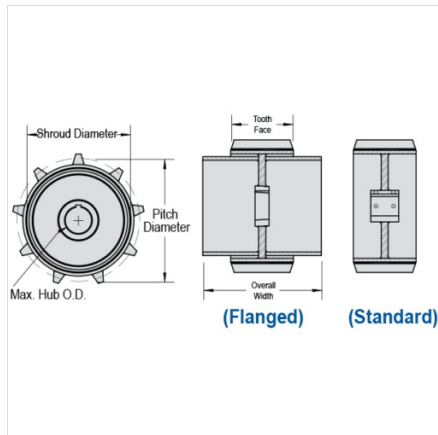
800-663-0072  
[UNITED STATES]

800-663-0072  
[WESTERN CANADA]

877-833-1653  
[EASTERN CANADA]

## WD480-9

DRAG CHAIN SPROCKETS > WD480 Sprocket



Part Number	Average Pitch	Number of Teeth	Pin Style	Pitch Diameter	Max. Bore	Shroud Diameter
WD480-9	8.000	9	Flanged & Standard	23.39	5 15/16	19.96
Part Number	Tooth Face					
WD480-9	11					

Questions about ordering? Call us!

**WE'RE HERE TO HELP!**  
[www.macchain.com](http://www.macchain.com)  
[ussales@macchain.com](mailto:ussales@macchain.com)

