



Mac Chain Co. Ltd.

800-663-0072
[UNITED STATES]

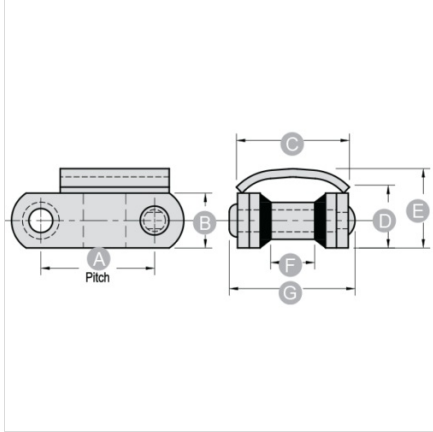
800-663-0072
[WESTERN CANADA]

877-833-1653
[EASTERN CANADA]

WR124-UT

TRANSFER CHAIN > Welded Steel Transfer Chain

Industry: Forest Products



NOTE: All dimensions shown in inches unless noted otherwise. Rooftop available by request

| Part Number | Average Pitch | Sidebar Height | Pin Diameter | Overall Width | Max. Sprocket Thickness | Average Weight per Ft. (lbs) |
|-------------|---------------|----------------|--------------|---------------|-------------------------|------------------------------|
| | A | B | | G | F | |
| WR124-UT | 4.000 | 1 1/2 | 3/4 | 4 1/4 | 1 1/2 | 13.100 |

| Part Number | C | D | E |
|-------------|-------|-------|-------|
| WR124-UT | 3 7/8 | 1 7/8 | 2 1/2 |

Questions about ordering? Call us!

WE'RE HERE TO HELP!

www.macchain.com
ussales@macchain.com

