



Mac Chain Co. Ltd.

800-663-0072
[UNITED STATES]

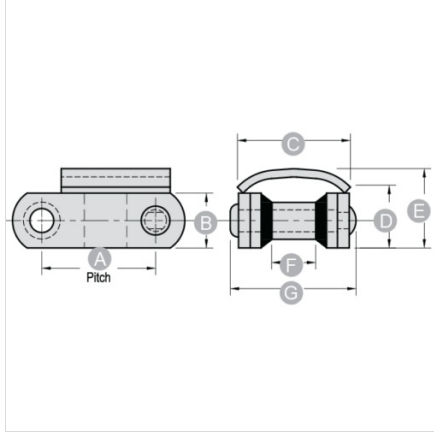
800-663-0072
[WESTERN CANADA]

877-833-1653
[EASTERN CANADA]

WR124XHD-UT

TRANSFER CHAIN > Welded Steel Transfer Chain

Industry: Forest Products



NOTE: All dimensions shown in inches unless noted otherwise. Rooftop available by request

Part Number	Average Pitch A	Sidebar Height B	Pin Diameter	Overall Width G	Max. Sprocket Thickness F	Average Weight per Ft. (lbs)
WR124XHD-UT	4.050	2.000	1.000	4 7/8	1 1/2	20.500

Part Number	C	D	E
WR124XHD-UT	4.000	2 3/8	3 1/4

Questions about ordering? Call us!

WE'RE HERE TO HELP!

www.macchain.com
ussales@macchain.com

