



Mac Chain Co. Ltd.

800-663-0072
[UNITED STATES]

800-663-0072
[WESTERN CANADA]

877-833-1653
[EASTERN CANADA]

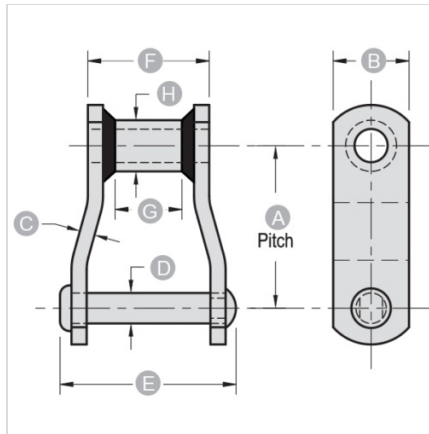
WR150

WELDED STEEL CHAIN > Welded Steel Chain - Offset Sidebar

Industry: Grain Processing, Car Wash Conveyor, Forest Products

Welded Steel Mill Chains (Offset Sidebars) are recommended for most conveying and elevating applications in which a high strength steel rollerless chain is required. A complete line on attachments and optional heat treatment make them easily adaptable to a wide variety of applications.

- All pins are through-hardened
- 1" & larger pins are further induction hardened
- Pre-Greased Rivets available upon request on all sizes



NOTE: All dimensions shown in inches unless noted otherwise. *WH denotes Heat-Treated

Part Number	Average Pitch A	Ultimate Strength (lbs)	WH* Ultimate Strength (lbs)	Sidebar Height B	Sidebar Thickness C	Pin Diameter D
WR150	6.050	120,000	144,000	2 1/2	1/2	1.000

Part Number	Approx. Overall Width E	Length of Bearing F	Max. Sprocket Thickness G	Barrel O.D. H	Links per Foot	Average Weight per Ft. (lbs)
WR150	6 1/4	4.437	2 3/4	1.660	2	15.500

Questions about ordering? Call us!

WE'RE HERE TO HELP!

www.macchain.com
ussales@macchain.com

