



Mac Chain Co. Ltd.

800-663-0072
[UNITED STATES]

800-663-0072
[WESTERN CANADA]

877-833-1653
[EASTERN CANADA]

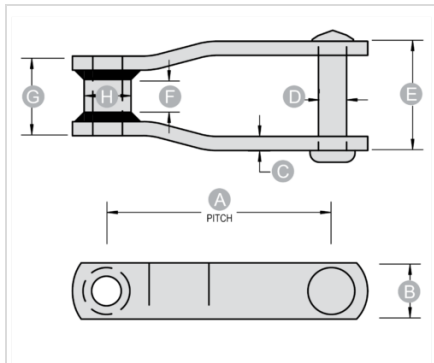
WR730S

SPECIAL APPLICATION CHAIN > Welded Steel Waste Water Chain

Industry: Grain Processing, Forest Products

Class 700 Welded Steel Chain is generally used in waste water and sewage treatment plants. Manufactured in North America using a select grade of alloy steel these chains offer greater strength and wearability over their cast counterparts.

- Easy attachment weldability
- All pins are through-hardened
- Fully heat-treated components available upon request



NOTE: All dimensions shown in inches unless noted otherwise.

| Part Number | Average Pitch A | Ultimate Strength (lbs) | Sidebar Height B | Sidebar Thickness C | Pin Diameter D | Max. Overall Width |
|-------------|--------------------|-------------------------|---------------------|------------------------|-------------------|--------------------|
| WR730S | 6.000 | 42,500 | 1 3/4 | 3/8 | 3/4 | 3 9/16 |

| Part Number | Length of Bearing G | Max. Sprocket Thickness F | Average Weight per Ft. (lbs) | Roller Diameter H |
|-------------|------------------------|------------------------------|------------------------------|----------------------|
| WR730S | 2 1/8 | 1 1/8 | 6.78 | 1 1/4 |

Questions about ordering? Call us!

WE'RE HERE TO HELP!

www.macchain.com
ussales@macchain.com

