



Mac Chain Co. Ltd.

800-663-0072
[UNITED STATES]

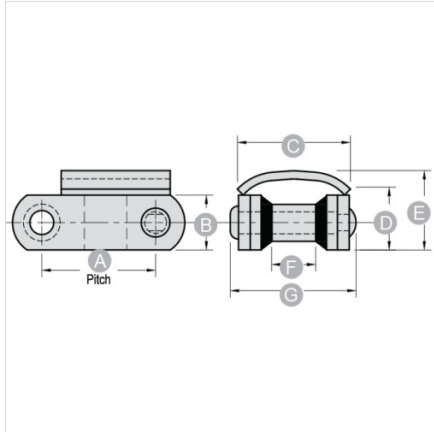
800-663-0072
[WESTERN CANADA]

877-833-1653
[EASTERN CANADA]

WR78-UT

TRANSFER CHAIN > Welded Steel Transfer Chain

Industry: Forest Products



NOTE: All dimensions shown in inches unless noted otherwise. Rooftop available by request

Part Number	Average Pitch	Sidebar Height	Pin Diameter	Overall Width	Max. Sprocket Thickness	Average Weight per Ft. (lbs)
WR78-UT	A 2.609	B 1 1/4	1/2	G 3.000	F 1.000	6.000

Part Number	C	D	E
WR78-UT	2 1/2	1 1/2	1 3/4

Questions about ordering? Call us!

WE'RE HERE TO HELP!

www.macchain.com
ussales@macchain.com

