



Mac Chain Co. Ltd.

800-663-0072
[UNITED STATES]

800-663-0072
[WESTERN CANADA]

877-833-1653
[EASTERN CANADA]

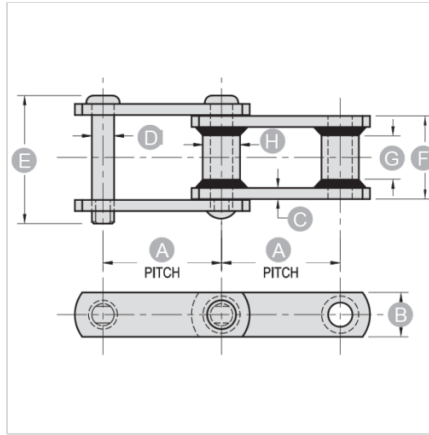
WRC150XHD

WELDED STEEL CHAIN > Welded Steel Chain - Straight Sidebar

Industry: Grain Processing, Forest Products

"C-type" straight sidebar chain has the same general characteristics as offset sidebar construction. It is recommended for reversible conveyors and allows for the easiest in-field attachment welding.

- All pins are through-hardened
- 1" & larger pins are further induction hardened
- Pre-Greased Rivets available upon request on all sizes



NOTE: All dimensions shown in inches unless noted otherwise. *WHC denotes Heat-Treated

Part Number	Average Pitch	Ultimate Strength (lbs)	WH* Ultimate Strength (lbs)	Sidebar Height	Sidebar Thickness	Pin Diameter
WRC150XHD	A 6.050	122,500	148,000	B 2 1/2	C 5/8	D 1.000

Part Number	Approx. Overall Width	Length of Bearing	Max. Sprocket Thickness	Barrel O.D.	Links per Foot	Average Weight per Ft. (lbs)
WRC150XHD	E 6 3/4	F 4.687	G 3 1/8	H 1.660	2.000	18.000

Questions about ordering? Call us!

WE'RE HERE TO HELP!

www.macchain.com
ussales@macchain.com

